

MODEL

SL

### SL STOP LOG SELECTION FORM

Customer: \_\_\_\_\_ Tag No.: \_\_\_\_\_ Date: \_\_\_\_\_

Order Number: \_\_\_\_\_ Qty.: \_\_\_\_\_

**STOP LOG DESIGN (Size= Channel Width x Slide Height)**

Units: mm  inch

Channel Width: \_\_\_\_\_ Channel Height: \_\_\_\_\_

Total Logs Height: (=Number of Logs x Log Height) \_\_\_\_\_

Number of Logs: \_\_\_\_\_

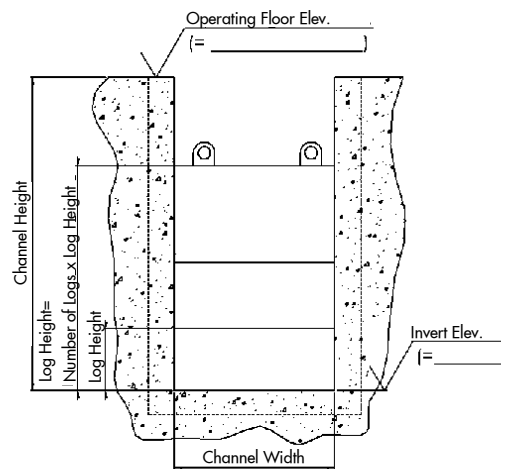
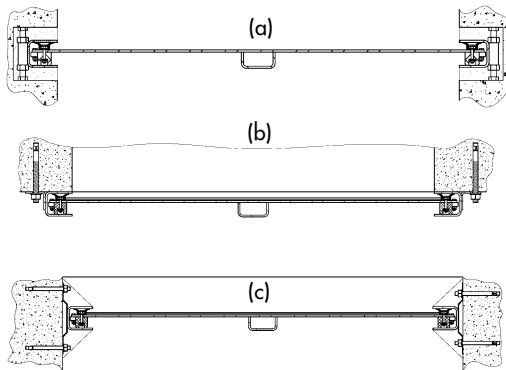
Height of each log: \_\_\_\_\_

Max. Seating Water Head: \_\_\_\_\_

Max. Unseating Water Head: \_\_\_\_\_

**STOP GATE MOUNTING**

- Embedded in Concrete (a)
- Wall Mounted (b)
- Face Mounted In Existing Channel (c)

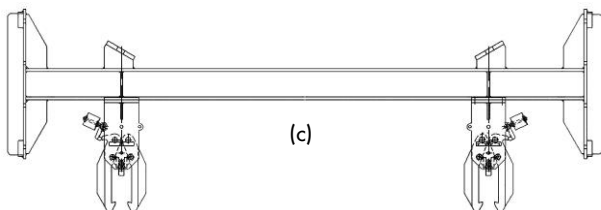


**Frame Invert Mounting:**

- Embedded in Concrete
- Wall Mounted
- Face Mounted In Existing Channel

**LIFTING MECHANISM**

- Hand pull
- Prepared for external crane
- Lifting device (c)



**MATERIALS**

- Frame&Slide:  304L SS  316L SS  Other: \_\_\_\_\_
- Seal:  EPDM  Other: \_\_\_\_\_

**REMARKS**

Name: \_\_\_\_\_ Signature: \_\_\_\_\_