

# RB PENSTOCK 1300x1300 - 6000x2500

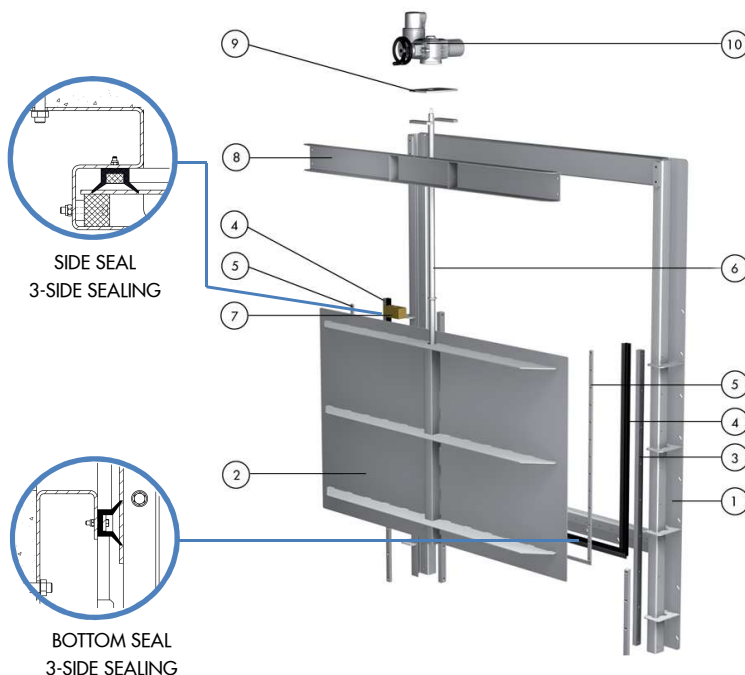
The RB weir gate is a three-side and four-side sealing penstock designed for downward opening applications for a more accurate flow control and suitable for different type of applications in the water and wastewater treatment plants, dams and reservoirs, etc.

## Product description:

- Bi-directional
- 3 side-sealing as standard. 4-side sealing available
- Size range of 1300x1300 up to 6000x2500. Larger sizes available upon demand
- Seating and unseating pressure: 6 mwc in four-side sealing and slide height in three-side sealing
- Stainless steel fabricated construction.  
Different stainless steel grades available
- Rising & non-rising stem configurations available
- Manual (handwheel and bevel gear), pneumatic (single and double-acting), electric and hydraulic actuation options available
- Designed according to DIN 19569. In general accordance with AWWA C561 or BS 7775 also available

## Features:

- Self-contained configurations
- HMWPE gate guides for low friction during operation, minimizing thrust and maximizing seal life
- Self-adjusting lip EPDM seal design, wedges are not required thus resulting in a lower torque requirement
- Yoke or pedestal mounted actuators
- Mounting options: standard wall mount, also thimble mount
- Leakage rate as per DIN 19569-4 Class 5 (1,2 l/min per meter)

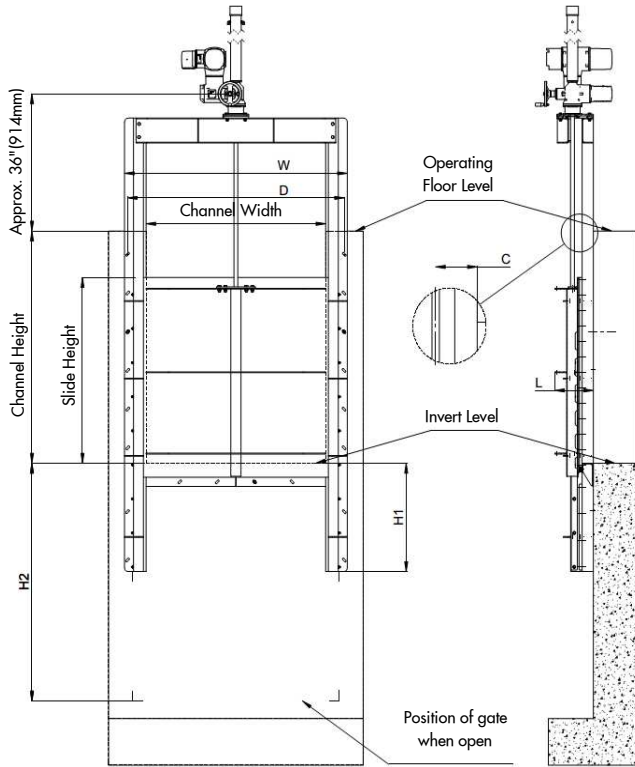


## STANDARD MATERIAL OF CONSTRUCTION

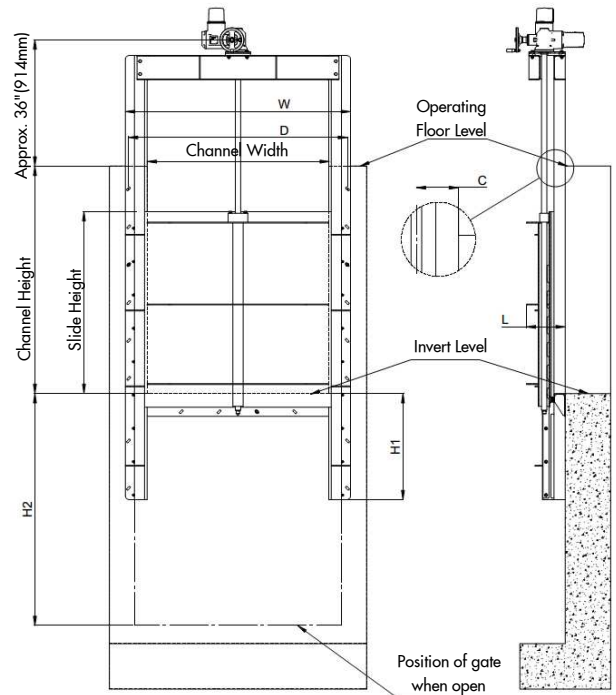
ITEM	DESCRIPTION	MATERIAL (standard)
1	Frame	AISI 304L / AISI 316L
2	Slide	AISI 304L / AISI 316L
3	Guides	Polyethylene (HMWPE)
4	Seal	EPDM
5	Seal Retainer	AISI 304L / AISI 316L
6	Stem	Stainless Steel
7	Stem Nut	Bronze
8	Yoke	AISI 304L / AISI 316L
9	Stem Coupling	AISI 304L / AISI 316L
10	Motor	

Note:  
As standard, ORBINOX Weir Gates include a manual operator (handwheel or bevel gear)

## RISING STEM



## NON RISING STEM



SIZE (mm) Channel Width x Slide Travel	W	H Min (Self-contained)	H (Open Frame)	H1	H2	D	L	C
1300x1300	1630	1500	1300	750	1370	1564	235	87
1400x1400	1780	1600	1400	800	1470	1664	235	87
1500x1500	1830	1700	1500	850	1570	1764	235	87
1600x1600	1980	1800	1600	900	1690	1864	235	87
1700x1700	2030	1900	1700	950	1790	1964	235	87
1800x1800	2130	2000	1800	1000	1890	2064	235	87
1900x1900	2230	2100	1900	1050	1990	2164	235	87
2000x2000	2330	2200	2000	1100	2090	2264	235	87

**NOTE:**

These dimensions are only for reference. Do not use for installation or submittal purposes.  
For dimensions or mounting positions other than those indicated above, please contact ORBINOX