

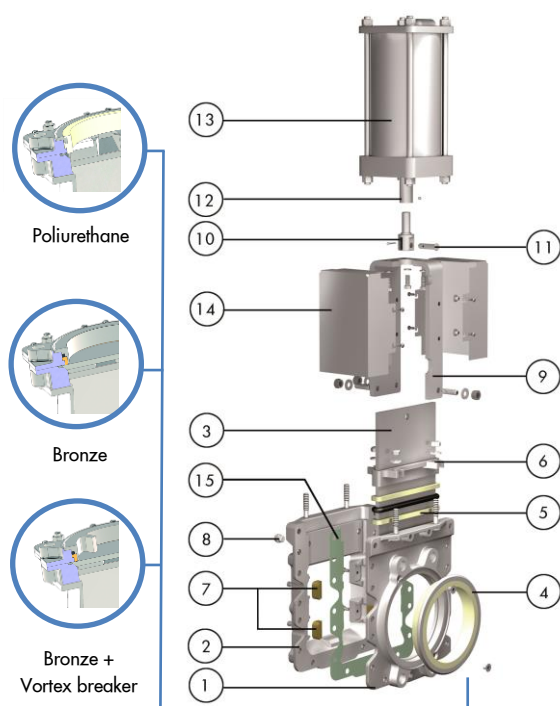
The CR model knife gate valve is a wafer type valve designed for difficult applications. This valve is generally suitable for recycling applications, such as junk or sand traps of pulpers, high density cleaners (HDC) or as silo outlet with solid material. The two piece body with round inlet and square outlet (larger than the inlet) ensures non-jamming

Product description:

- Uni-directional wafer type knife gate valve
- Size range of DN100-600 (larger sizes upon request). See Dimension Charts for pressure rating
- Standard flange connection: EN 1092 PN10 and ASME B16.5 (class 150) (on valve inlet only). Others available upon request
- Square-to-round transition pieces on the outlet available
- Double-acting pneumatic actuation
- For EU Directives and other Certificates, please see the document: Directives and Certificates Compliance - Knife Gate Valves - Catalogues and Datasheets

Features:

- Internally machined two-part bolted cast body with internal replaceable gate guides for smoother gate traveling
- The square outlet prevents the build-up of contaminants such as staples, wires, etc
- Duplex gate for increased wear resistance polished both sides to avoid jamming and seat damage
- Easily replaceable high resistant long-lasting polyurethane seat with stainless steel core or bronze seat
- Long-life multiple graphite impreg. PTFE/aramid yarn combination with elastomeric core and EPDM o-ring, packing with easy access and adjustable gland follower. Wide range of materials available
- RAL-5015 blue epoxy-coating on all cast iron/carbon steel components
- Automated valves provided with gate guards in accordance with EU Safety Standards
- Other options: flush ports, vortex breakers on seating ring, special materials, fabricated valves, etc.
- Actuation accessories: limit & proximity switches, mechanical stops, positioners, solenoid valves, manual overrides, locking devices and fail safe systems



STANDARD PARTS LIST

| Part | Materials |
|------------------|----------------------------------|
| 1 Body | GJL250 (0.6025) / CF8M (1.4408) |
| 2 Body | GJL250 (0.6025) / CF8M (1.4408) |
| 3 Gate | 2205 (1.4462) |
| 4 Seat | Polyurethane Rubber |
| 5 Packing | Dynapack + EPDM O-ring |
| 6 Gland Follower | CF8M |
| 7 Sliders | Bronze |
| 8 Cap | Galv. Steel / AISI 316 (1.4404) |
| 9 Yoke | Carbon Steel / AISI 304 (1.4301) |
| 10 Clevis | 17-4PH |
| 11 Pin | AISI 304 (1.4301) |
| 12 Piston Rod | AISI 304 (1.4301) |
| 13 Cylinder | Aluminium |
| 14 Gate Guards | AISI 304 (1.4301) |
| 15 Gasket | Aramid fibres |

DIMENSIONS (mm) Pneumatic Actuator (D/A)

| DN | Pressures | A | B | C | D | E | F | G | H | I | O | P | Weight (kg.) | Std.Cyl. | Connect. |
|-----|-----------|-----|-----|-----|-----|-----|-----|-----|------|-----|-----|-----|--------------|----------|----------|
| 100 | 7 bar | 52 | 206 | 100 | 140 | 198 | 231 | 110 | 569 | 115 | 95 | 97 | 35 | C100/115 | 1/4"G |
| 150 | 7 bar | 60 | 252 | 108 | 175 | 237 | 296 | 130 | 708 | 140 | 145 | 146 | 78 | C125/168 | 1/4"G |
| 200 | 7 bar | 60 | 315 | 123 | 205 | 309 | 358 | 168 | 872 | 175 | 194 | 194 | 89 | C160/220 | 3/8"G |
| 250 | 7 bar | 69 | 388 | 185 | 250 | 376 | 428 | 194 | 1054 | 220 | 245 | 247 | 100 | C200/270 | 3/8"G |
| 300 | 7 bar | 78 | 428 | 185 | 290 | 426 | 478 | 232 | 1194 | 220 | 294 | 298 | 145 | C200/320 | 3/8"G |
| 400 | 7 bar | 89 | 560 | 270 | 392 | 574 | 599 | 292 | 1565 | 277 | 398 | 398 | 268 | C250/425 | 3/8"G |
| 500 | 4 bar | 114 | 647 | 270 | 450 | 675 | 730 | 339 | 1855 | 382 | 499 | 479 | 370 | C300/525 | 1/2"G |
| 600 | 4 bar | 114 | 747 | 270 | 510 | 775 | 830 | 397 | 2115 | 382 | 600 | 578 | 507 | C300/625 | 1/2"G |

